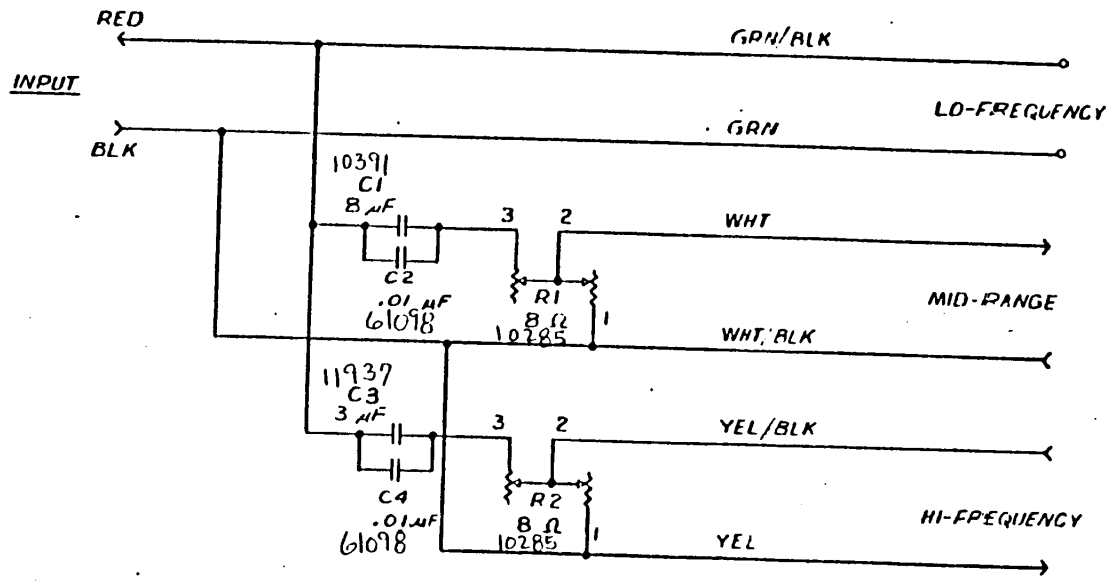


THESE DRAWINGS AND SPECIFICATIONS ARE THE PROPERTY OF JAMES B. LANSING SOUND, INC. THEY ARE DESIGNED BY SECRECY CONFIDENCE AND SHALL NOT BE REPRODUCED COPIES OR USED AS THE BASIS FOR MANUFACTURE OR SALE OF APPARATUS WITHOUT WRITTEN PERMISSION.

REVISIONS						
CHG	LTR	DESCRIPTION	DRFT	CHK	DATE	APPR
X0000	A	REL. FOR MFR. NO. 1	20	AG	10-20-51	JBL
11022	B	REL. FOR PRODUCTION	110		12-1-51	JSP

N3112C



FILE COPY

1. FOR WIRE LIST SEE DWG 61982-02
 NOTES: (UNLESS OTHERWISE SPECIFIED)

ITEM	PART NO.	DESCRIPTION	QTY	REMARKS
BILL OF MATERIAL				
UNLESS OTHERWISE SPECIFIED, DIMENSIONS ARE IN MILLIMETERS UNLESS OTHERWISE SPECIFIED. DIMENSIONS IN PARENTHESES ARE IN INCHES UNLESS OTHERWISE SPECIFIED.		MATERIAL		
TOLERANCES UNLESS OTHERWISE SPECIFIED		FINISH		
FRACTIONAL DIMENSIONS		MODEL USED IN		
ALL DIMENSIONS ARE TO UNLESS OTHERWISE SPECIFIED		3112C		
		JAMES B. LANSING SOUND, INC. 1000 W. 10TH ST. ST. LOUIS, MO. 63104 MADE IN U.S.A.		
		SCHEMATIC, 3112C		
		REV 1.2		
		DRAWING NO. 61982-01		
		REV B		

61982-01